

Apach
COOK *line*

APKG-77/PL

APMPEG7750I

Catalogo parti di ricambio valido
dalla matricola 0000001 (31.10.2006) ad oggi (18.03.2025)

Catalogue pieces detachees
valable à partir du numero de Série n. 0000001 (31.10.2006) jusqu'à aujourd'hui
(18.03.2025)

Ersatzteilkatalog
gültig ab Serien-Nr. 0000001 (31.10.2006) bis heute (18.03.2025)

Spare parts catalogue
valid from serial no. 0000001 (31.10.2006) up today (18.03.2025)

Catálogo de peças de reposição
válido do número de série 0000001 (31.10.2006) até hoje (18.03.2025)

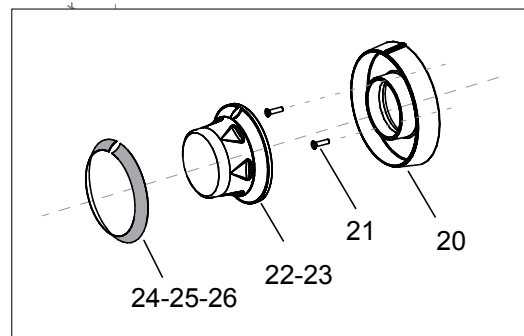
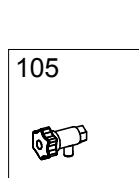
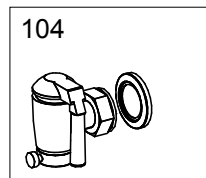
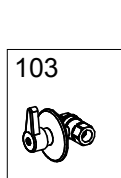
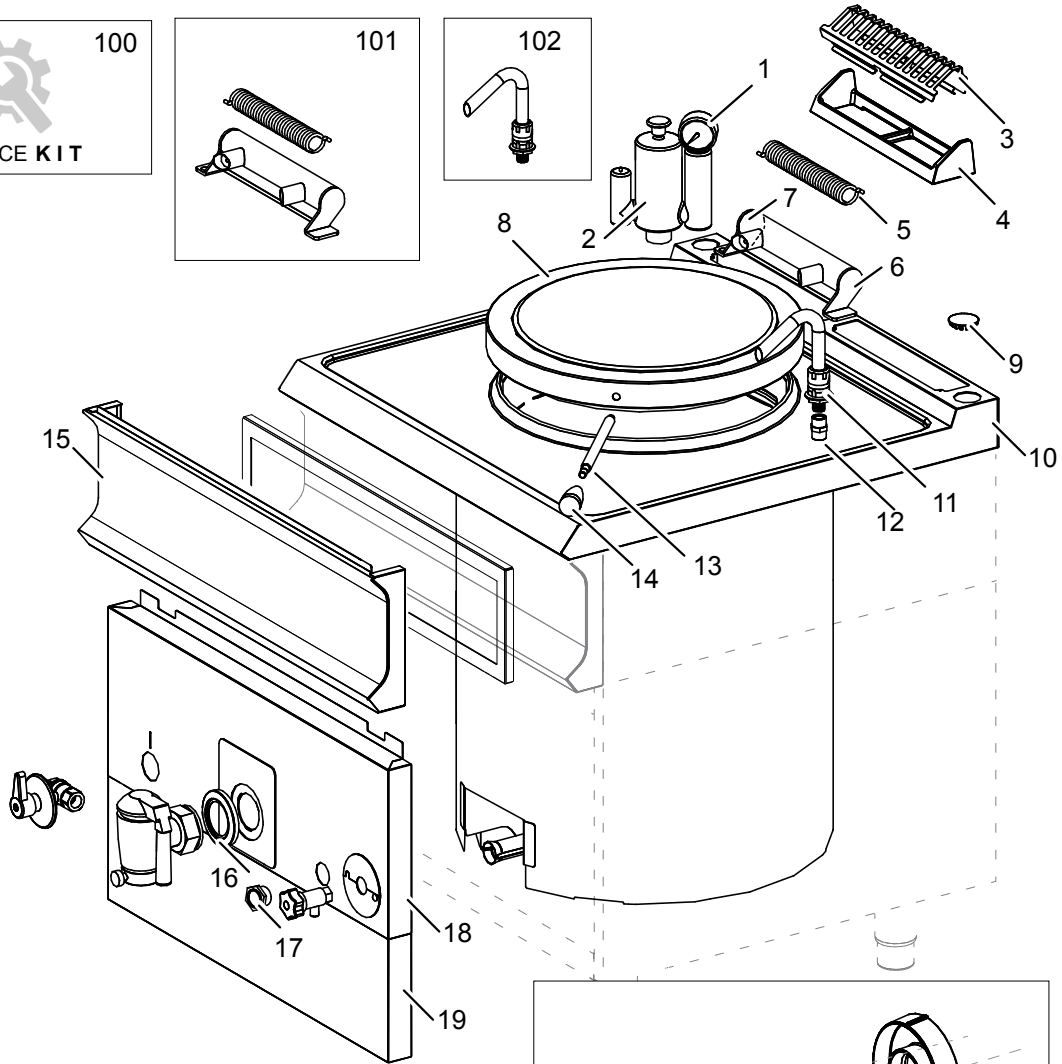
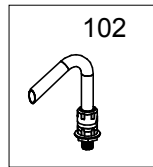
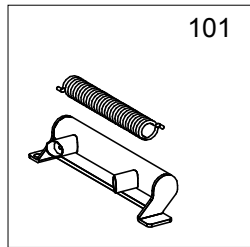
Le informazioni sono considerate non vincolanti. Le immagini rappresentate sono puramente indicative. Il produttore si riserva il diritto di apportare modifiche in qualsiasi momento senza preavviso.

Les informations données ne sont pas contraignantes. Les images montrées sont à titre indicatif. Le producteur se réserve le droit d'apporter des modifications sans préavis.

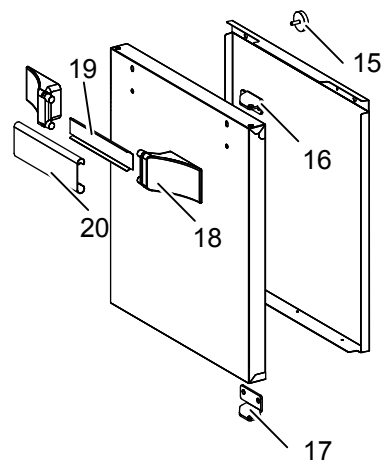
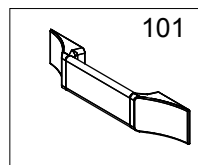
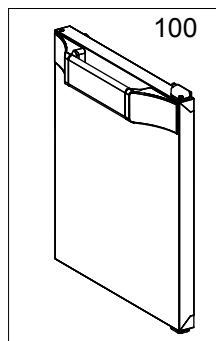
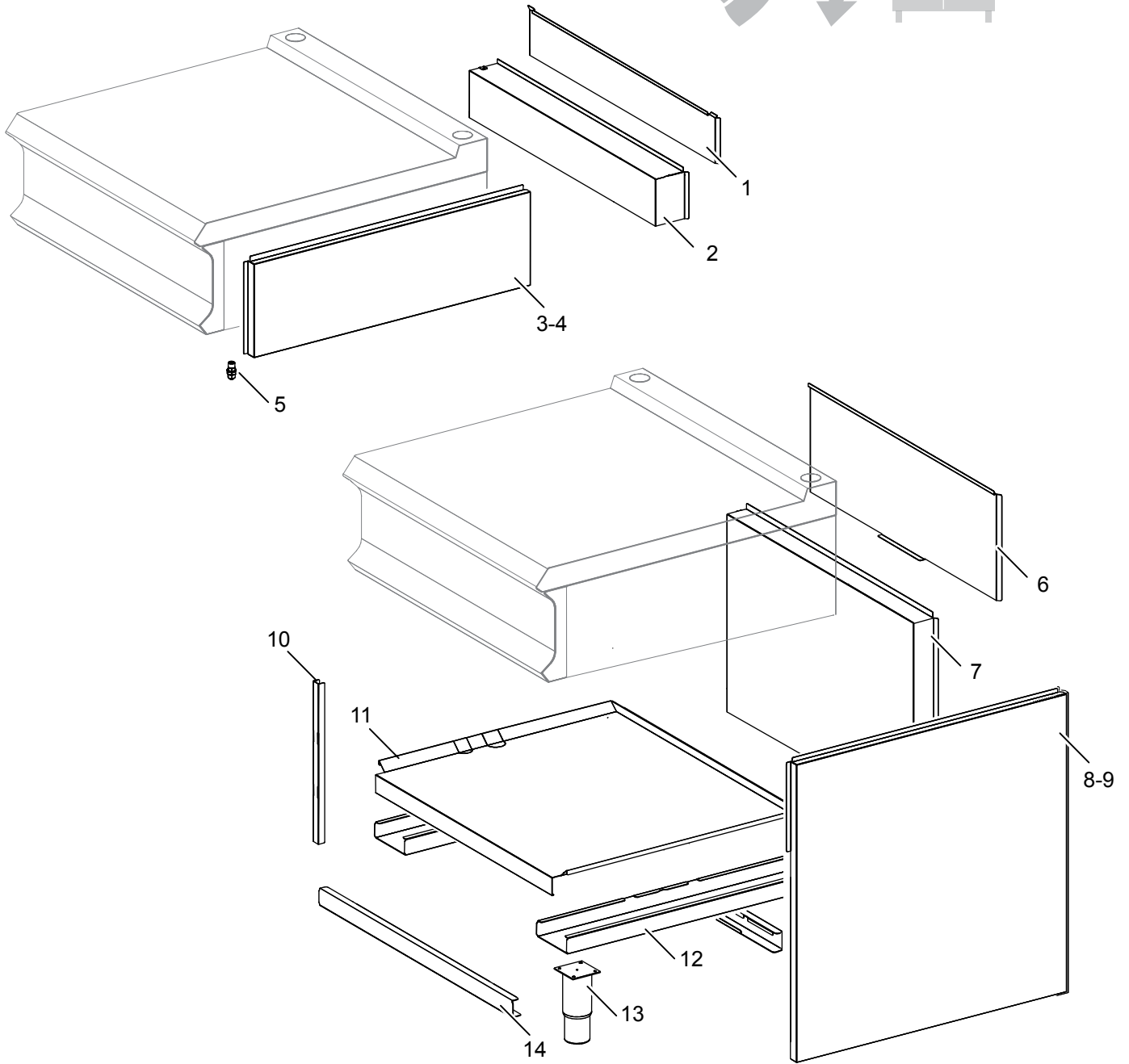
Die im vorliegenden Dokument aufgeführten Informationen und Bilder sind unverbindlich. Der Hersteller behält sich das Recht vor, jederzeit ohne vorherige Ankündigung Änderungen vorzunehmen

Info and drawing could be slightly different from reality and they cannot be considered as compelling. Manufacturer can modify info anytime without forewarning.

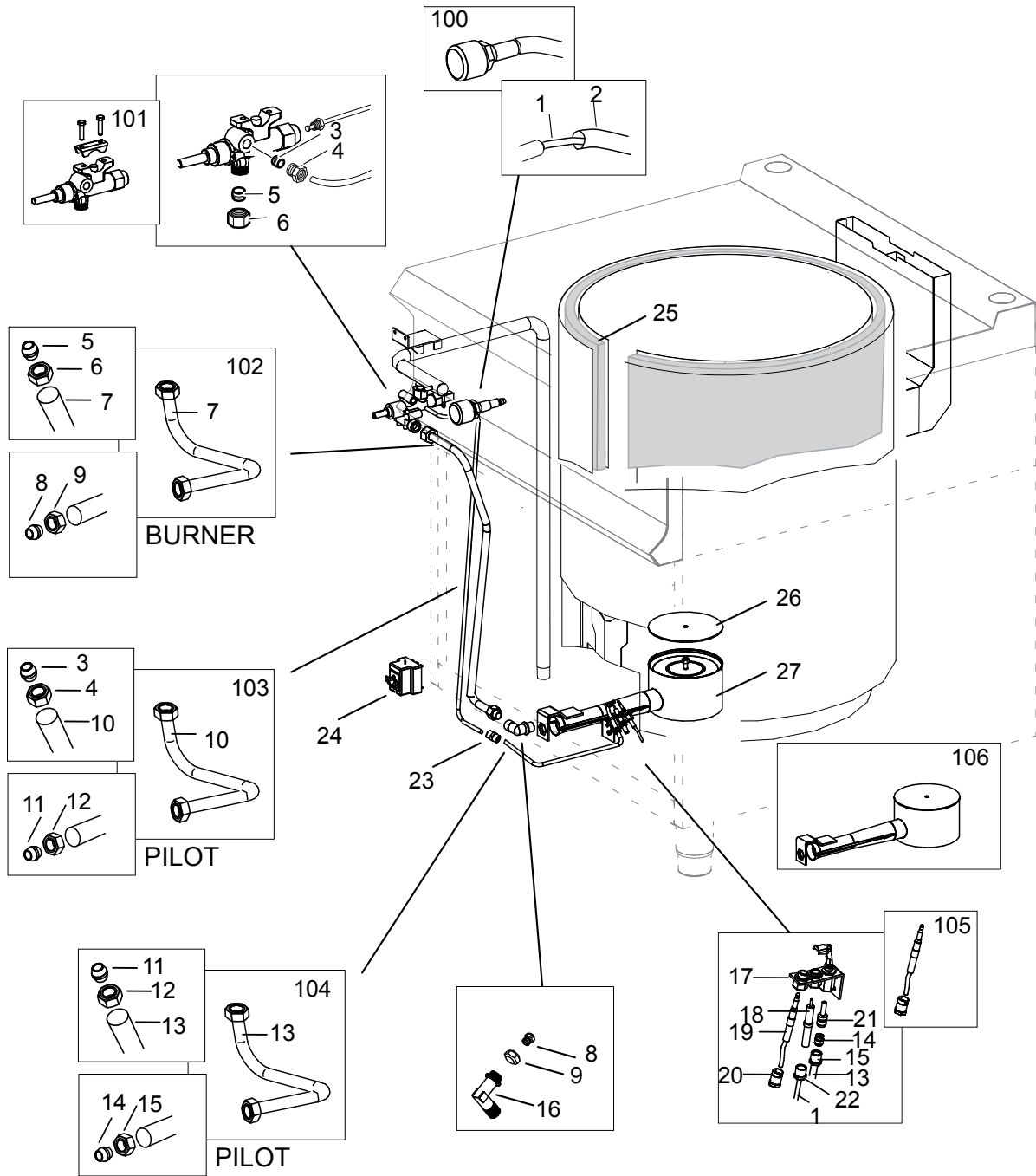
As Informações e desenhoS podem estar um pouco diferente da realidade e são puramente indicativas. O fabricante pode modificar estas informações a qualquer momento sem aviso prévio.



Nr.	Code	Title	Recommended
1.	RTCP900063	MANOMETER CPI D 60	✓
2.	176874	SECURITY VALVE	
3.	202046	CHIMNEY GRILL	
5.	RTCU700476	HINGE SPRING	✓
6.	168612	HINGES TERMINAL RIGHT	
7.	168613	HINGES TERMINAL LEFT	
8.	RTCU700475	COVER	
11.	RTCP800024	WATER EROGATOR	
12.	RTCU900132	NIPPLE 1/2"- 3/8"	
13.	RTCU700479	HANDLE	
14.	RTCU700478	COVER KNOB	
15.	202837	CONTROL PANEL	
16.	RTCP700002	CAP TAP	
17.	170723	DISPLAY	
18.	200838	UPPER EXTERNAL FACADE	
19.	200837	LOWER FRONT PANEL	
22.	205983	WATER KNOB	
23.	168867	BURNER KNOB	
24.	199108	KNOB RING	
25.	199104	COLD WATER RING	
26.	199103	HOT WATER RING	
100.	ECS7041	RECOMMENDED PARTS FOR PEG77	
101.	168614	COMPLETE HINGE	
102.	RTCP800024	WATER EROGATOR	
103.	RTCU600075	WATER FILLING TAP	✓
104.	188982	DISCHARGE TAP	
105.	RTCP800065	LEVEL TAP	



Nr.	Code	Title	Recommended
6.	200042	<i>BACK SIDE TALL</i>	
7.	200041	<i>BACK SIDE INFERIOR</i>	
8.	200031	<i>LATERAL SIDE RIGHT</i>	
9.	200032	<i>LATERAL SIDE LEFT</i>	
10.	200002	<i>HIP REINFORCEMENT</i>	
11.	200840	<i>LOWER FLOOR</i>	
12.	200847	<i>BASE SIDE CROSSBARS</i>	
13.	RTCU700277	<i>FOOT</i>	
14.	200846	<i>FRONT CROSS BASE</i>	

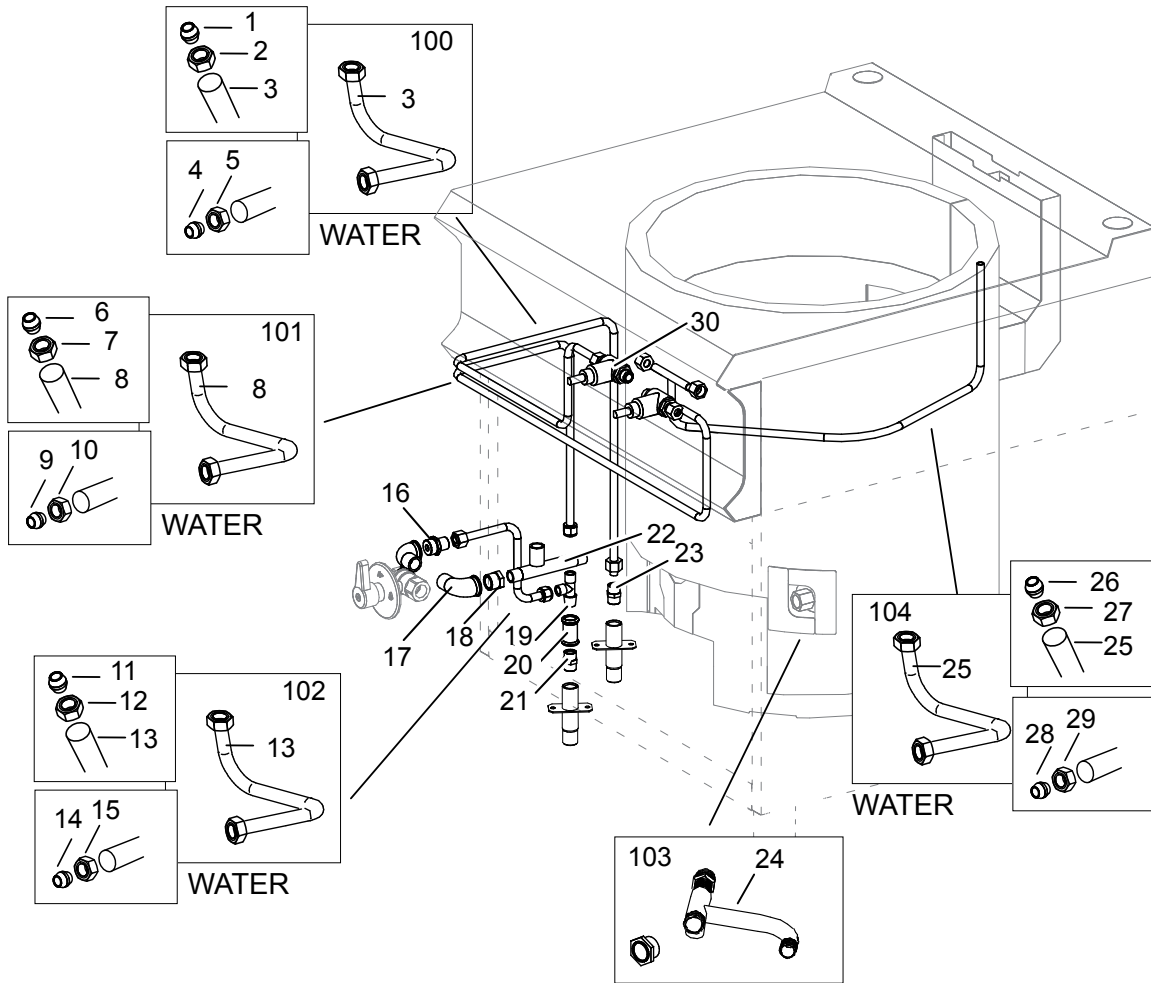


Nr.	Code	Title	Recommended
1.	RTBF800308	IGNITION CABLE CM 150	✓
2.	168890	TRASPARENT SILICON PIPE	
3.	RTCU900018	BICONE D.6 MM.6	
4.	RTCU900019	NUT D.6 HEIGHT 10,5 MM.	
5.	RTCU900014	BICONE D.12	
6.	RTCU900015	NUT D.12	
7.	200851	FEEDING PIPE FOR BURNER	
8.	RTCU800195	BICONE D.12- INJECTOR SUPPORT	
9.	RTCU800181	NUT D.12	
10.	201349	BURNER PILOT PIPE	
11.	RTCU900018	BICONE D.6 MM.6	
12.	RTCU800339	NUT D.6	
13.	201350	BURNER PILOT PIPE	
14.	RTCU800183	BICONE D.6 MM.11	
15.	RTCU800182	NUT AC.D.6 BLACK HEIGHT 11 MM.	
16.	RTCU700501	INJECTOR SUPPORT	
17.	RTCP800034	SIT 1 WAY PILOT BURNER (TARGET)	✓
18.	RTCP800033	IGNITION PLUG ROUND 7X44 LENGHT 58 MM	✓
19.	RTCU900061	THERMOCOUPLE 120 CM TARGET	✓
20.	RTCP800038	FIXING NUT FOR TARGET THERMOCOUPLE	✓
21.	INIETTORE	SEE HANDBOOK NOZZLES	
22.	RTCU900215	FIXING NUT SIT FOR SPARK ELECTRODES	✓
23.	201348	INTERMEDIATE DOUBLE CONE FITTING Ø 6-2203	
24.	203478	SAFETY THERMOSTAT	
25.	168255	INSULATING PANEL	
26.	PACU701012	BURNER COVER	
27.	RTCP700004	BURNER	✓
28.	INIETTORE	SEE HANDBOOK NOZZLES	
29.	RTCU900005	LOCK NUT	
100.	RIC0004096	PIEZO IGNITION + LIGHTING CABLE	✓
101.	RIC0004988	GAS TAP KIT	
102.	RIC0004989	BURNER TUBE KIT	
103.	RIC0004990	PILOT TAP KIT	

104. RIC0004991 *BURNER PILOT TUBE KIT*

105. RTCU900061-00 *KIT THERMOCOUPLE + NUT 120 CM*

106. RIC0004992 *BURNER KIT*



Nr.	Code	Title	Recommended
1.	RTCU900012	BICONE	
2.	RTCU900013	NUT	
3.	200853	ALIMENTATION PIPE FOR WATER TAP	
4.	RTCU900012	BICONE	
5.	RTCU900013	NUT	
8.	200852	ALIMENTATION PIPE FOR WATER TAP	
9.	RTCU900012	BICONE	
10.	RTCU900013	NUT	
13.	200834	ALIMENTATION PIPE FOR WATER TAP	
14.	RTCU900012	BICONE	
15.	RTCU900013	NUT	
16.	RTCU900132	NIPPLE 1/2"- 3/8"	
17.	RTCP900034	CRANK	
18.	166432	CONNECTOR 1/2"X3/8"	
19.	RTCU700610	3/8" BRASS FITTING + 2 CAPS	
20.	RTCU700629	SLEEVE	
21.	RTCU900103	NIPPLE 3/8"GALVANIZED	✓
22.	200855	LEVEL TAP INLET PIPE	
23.	RTCU900103	NIPPLE 3/8"GALVANIZED	✓
24.	170306	WATER LEVEL PIPE	
25.	169050	ALIMENTATION PIPE FOR WATER EROGATOR	
26.	RTCU900012	BICONE	
27.	RTCU900013	NUT	
28.	RTCU900012	BICONE	
29.	RTCU900013	NUT	
30.	168006	WATER FILLING TAP	✓
100.	RIC0004983	COLD WATER SUPPLY HOSE KIT	
101.	RIC0004984	HOT WATER SUPPLY HOSE KIT	
102.	RIC0004985	FEED TUBE KIT CAVITY FAUCET	
103.	RIC0004986	LEVEL TUBE KIT	
104.	RIC0004987	FEED TUBE KIT DISPENSER	